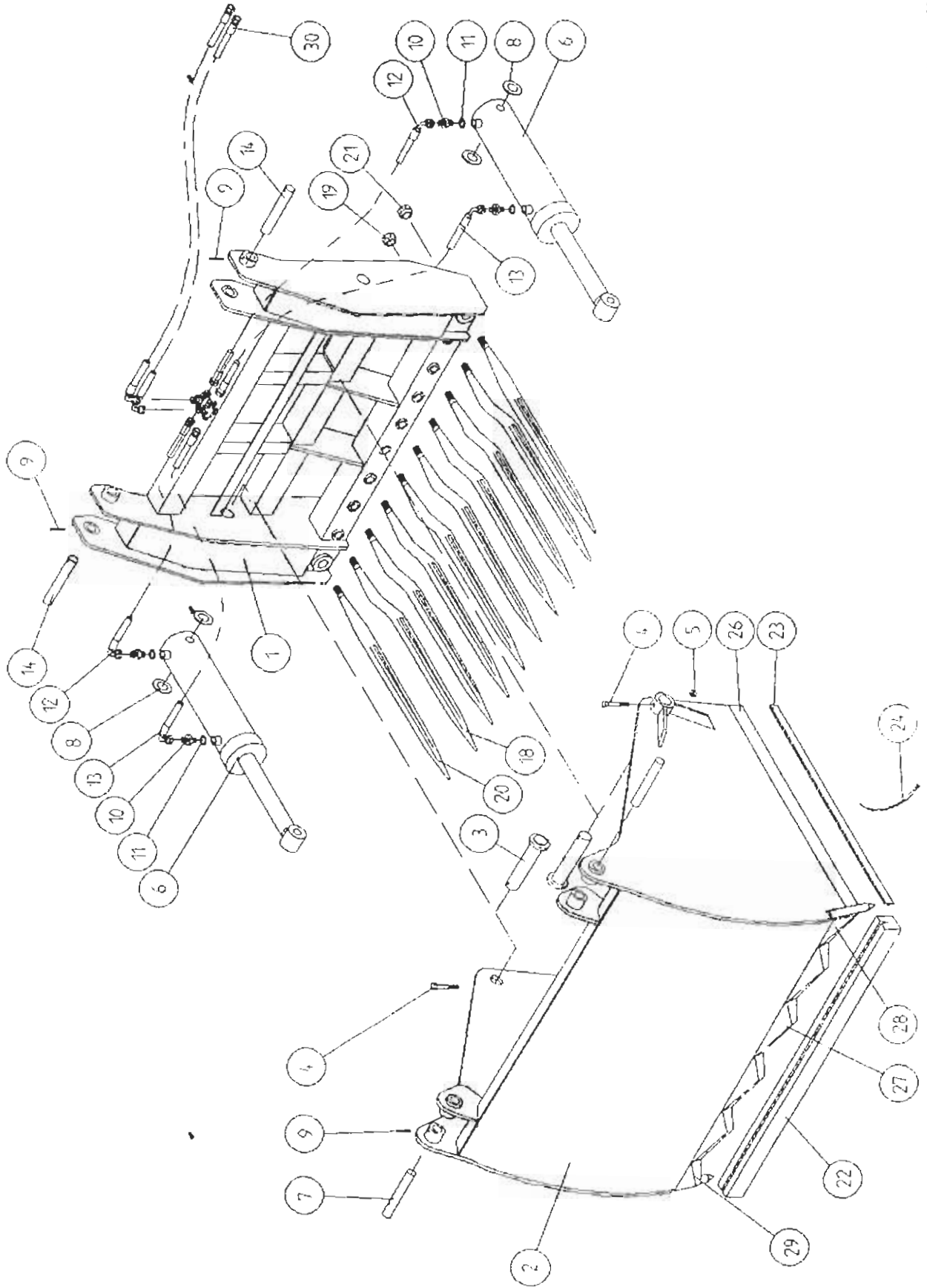


TANCO SLICE GRAB 390S/470S/540S/630S MODELS 1995  
MECHANICAL PUSH-OFF

WI235.PL1

ITEM NO	DESCRIPTION	QTY	PART NO
1	MAIN FRAME	1	WI2531-MP
2	PIVOT BRACKET	2	WI2531-MB
3	CLAMPING PLATE	2	WI2531-09
4	M16 HEX HD. BOLT X 90MM LONG	2	Z26-131B
5	M16 HEX HD. BOLT X 130MM LONG	4	Z26-135B
6	M16 LOCKNUT	2	Z23-16
7	M16 HEX NUT	4	Z18-16
8	16MM DIA SPRING WASHER	4	Z12-02-16

TANCO SLICE GRAB "390 S" MODEL 1995

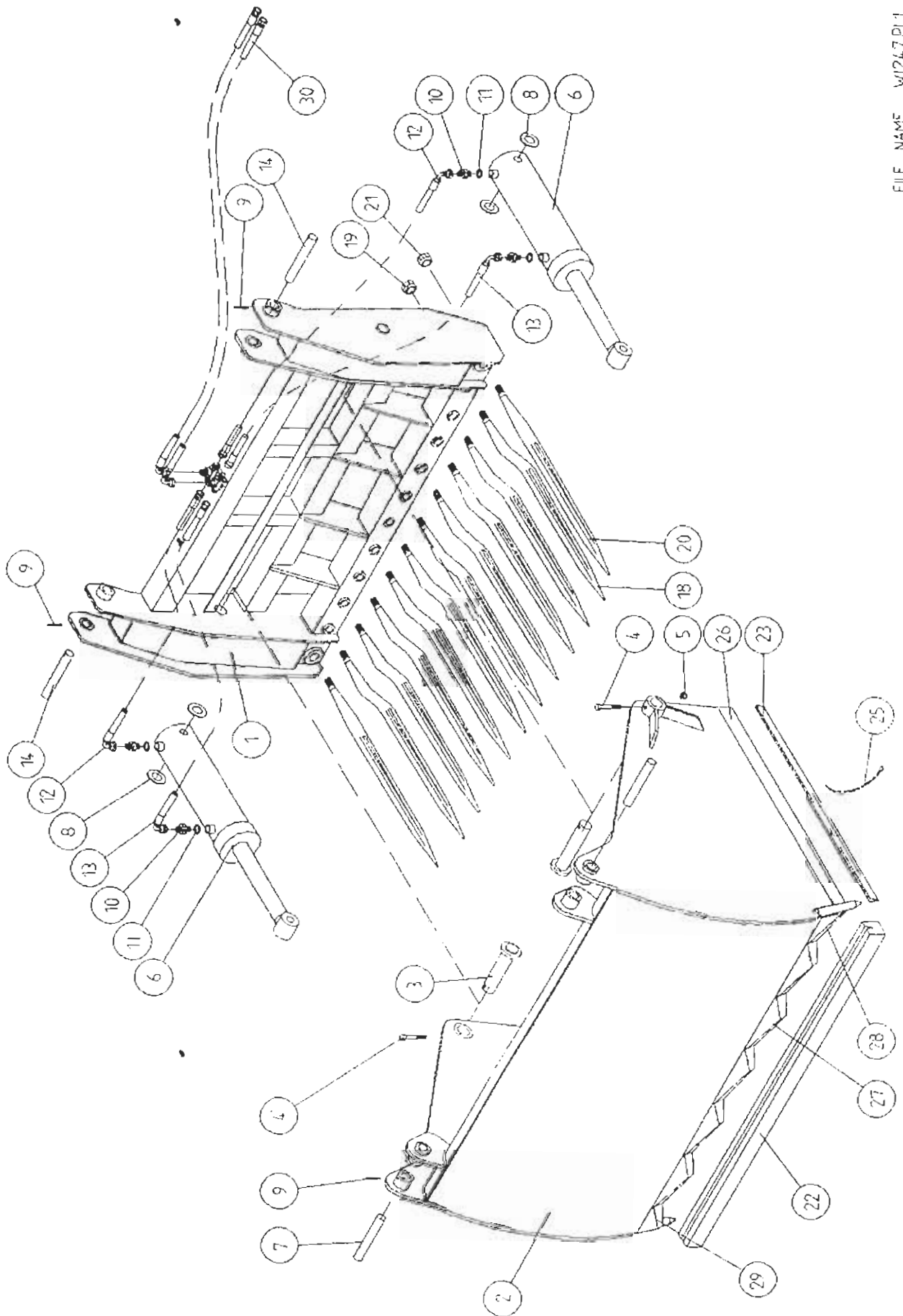


WI237-PL1

TANCO SLICE GRAB "390-S" MODEL 1995  
PARTS LIST

ITEM NO	DESCRIPTION	QTY	TANCO NO.
1	MAIN FRAME ASSY.	1	WI237-MF
2	GRAB ASSY.	1	WI237-GA
3	GRAB PIVOT PINS	2	Z03-SG-3
4	M10 HEX HD. BOLT x 80mm LONG	2	Z26-0691B
5	M10 LOCKNUT	2	Z23-10
6	HYD. RAM (90mm) BORE	2	Z01-01-SG55
7	RAM TOP PIVOT PIN	4	WI237-90
8	30mm DIA. L/D FLAT WASHER	4	Z11-02-30
9	8mm DIA x 45mm TENSION PIN	4	Z03-21-40
10	M18 x 3/8" ADAPTOR	4	Z01-07-06M18
11	18mm DOWTY WASHER	4	Z01-04-18
12	24"ST/K90 3/8" D/W HOSE	2	Z38-R2-24-S9
13	30" ST/K90 3/8" D/W HOSE	2	Z38-R2-30-S9
14	RAM BOTTOM PIVOT PIN	2	WI237-91
18	32" CRANKED H/D TINE (CONUS 1)	8	Z001-084
19	HEX NUTS (CONUS 1)	8	Z001-241
20	32" ST. H/D TINE (CONUS 2)	2	Z001-082
21	HEX NUTS (CONUS 2)	2	Z001-243
22	BLADE GUARD	1	Z44-320
23	BLADE GUARD x 850mm LONG	2	Z44-313
24	CABLE TIES	2	Z08-20
26	SIDE BLADE (WELD ON)	2	Z44-17
27	CENTRE BLADE (WELD ON)	4	Z44-18
28	END BLADE L.H.S. (WELD ON)	1	Z44-19
29	END BLADE R.H.S. (WELD ON)	1	Z44-20
30	78" ST 90 BSP/W12L 3/8 D/W HOSE	2	Z38-R2-2M-M18

TANCO SLICE GRAB "470 S" MODEL 1995

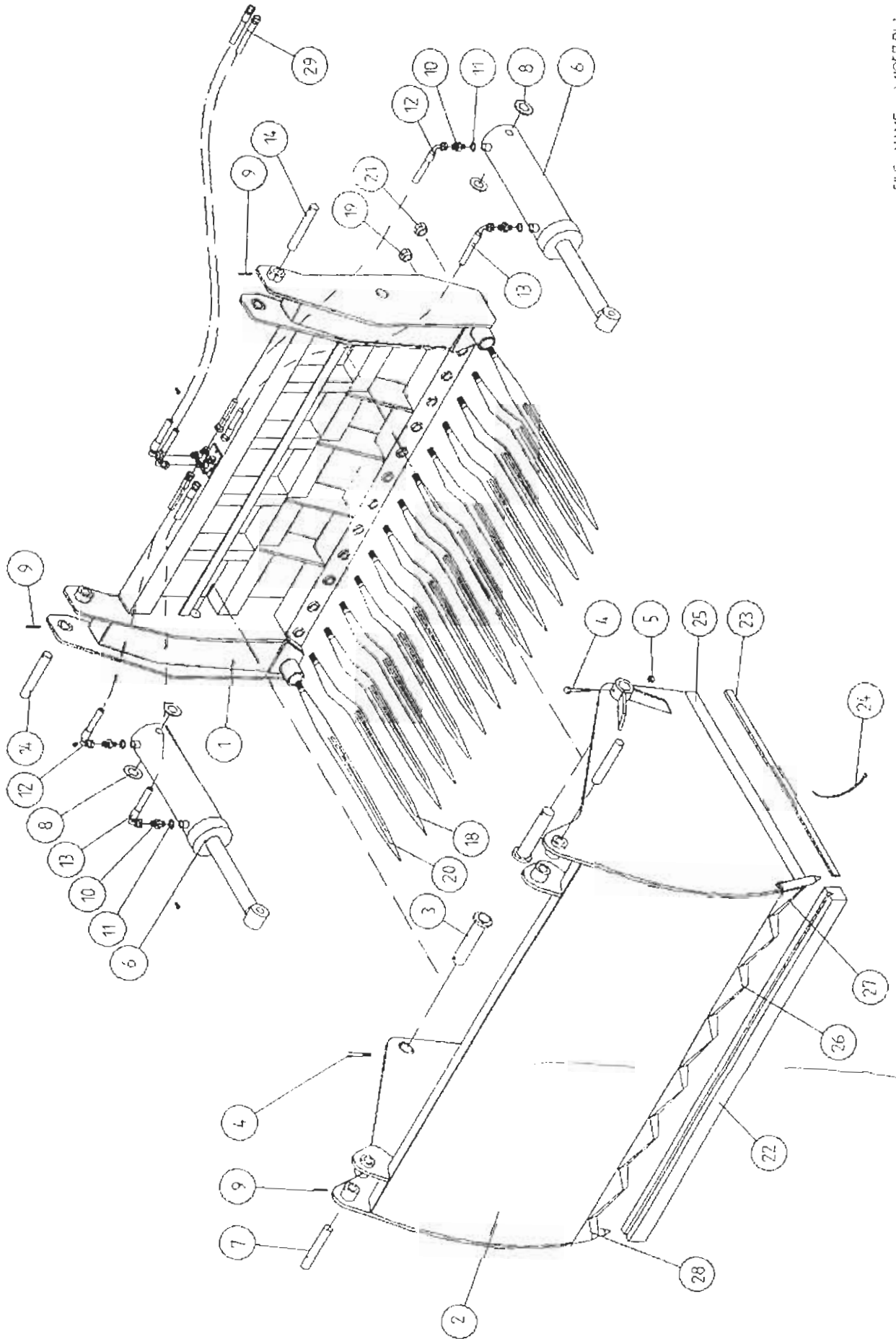


TANCO SLICE GRAB "470-S" MODEL 1995

PARTS LIST

ITEM NO	DESCRIPTION	QTY	TANCO NO.
1	MAIN FRAME ASSY.	1	WI247-MF
2	GRAB ASSY.	1	WI247-GA
3	GRAB PIVOT PINS	2	Z03-SG-7
4	M10 HEX HD. BOLT x 80mm LONG	2	Z26-0691B
5	M10 LOCKNUT	2	Z23-10
6	HYD. RAM (90mm) BORE	2	Z01-01-SG55
7	RAM TOP PIVOT PIN	4	WI237-90
8	30MM DIA. H/D FLAT WASHER	4	Z10-02-30
9	8mm DIA x 45mm TENSION PIN	4	Z03-21-29
10	M18 x 3/8" ADAPTOR	4	Z01-07-06M18
11	18mm DOWTY WASHER	4	Z01-04-18
12	30" ST/K90 3/8" D/W HOSE	2	Z38-R2-30-S9
13	36" ST/K90 3/8" D/W HOSE	2	Z38-R2-36-S9
14	RAM BOTTOM PIVOT PIN	2	WI237-91
18	32" CRANKED H/D TINE (CONUS 1)	10	Z001-084
19	HEX NUTS (CONUS 1)	10	Z001-241
20	32" ST. H/D TINE (CONUS 2)	2	Z001-082
21	HEX NUTS (CONUS 2)	2	Z001-243
22	BLADE GUARD	1	Z44-321
23	BLADE GUARD x 850mm LONG	2	Z44-313
25	CABLE TIES	2	Z08-20
26	SIDE BLADE (WELD ON)	2	Z44-17
27	CENTRE BLADE (WELD ON)	5	Z44-18
28	END BLADE L.H.S (WELD ON)	1	Z44-19
29	END BLADE R.H.S (WELD ON)	1	Z44-20
30	78" ST 90 BSP/W12L 3/8 D/W HOSE	2	Z38-R2-2M-M18

TANCO SLICE GRAB "540 S" MODEL 1995

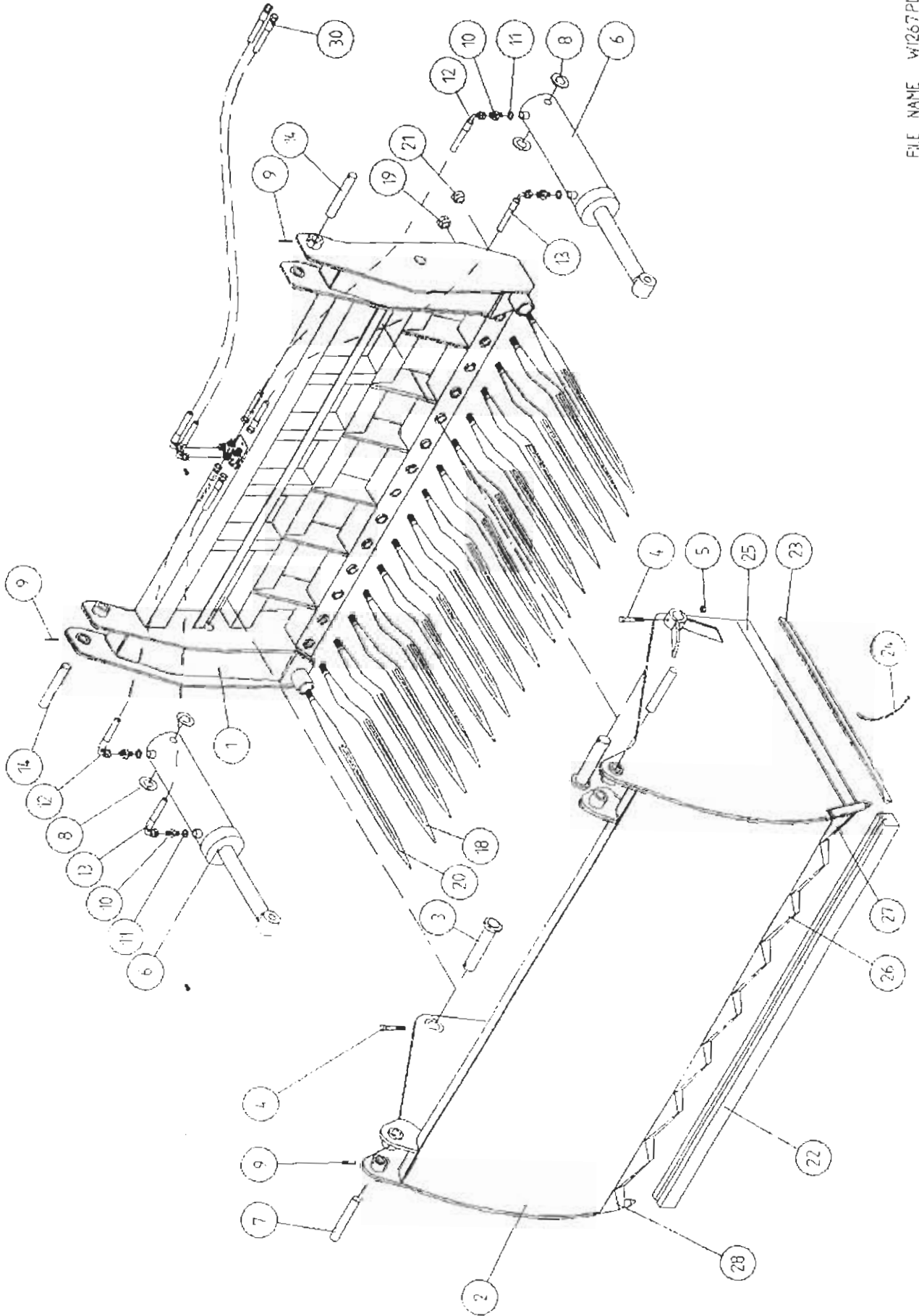


TANCO SLICE GRAB '540 -S' MODEL 1995

PARTS LIST

ITEM	DESCRIPTION	QTY	TANCO NO.
1	MAIN FRAME ASSY.	1	WI257-MF
2	GRAB ASSY.	1	WI257-GA
3	GRAB PIVOT PINS	2	Z03-SG-6
4	M10 HEX HD. BOLT x 80mm LONG	2	Z26-0691B
5	M10 LOCKNUT	2	Z23-10
6	HYD. RAM (100mm) BORE	2	Z01-01-SG65
7	RAM TOP PIVOT PIN	2	WI237-90
8	30mm DIA. HEAVY FLAT WASHER	4	Z10-02-30
9	8mm DIA x 45mm TENSION PIN	4	Z03-21-29
10	M18 x 1/2" ADAPTOR	4	Z01-07-08M18
11	18mm DOWTY WASHER	4	Z01-04-18
12	36" ST/K90 1/2" D/W HOSE	2	Z12-R2-36-S9
13	48" ST/K90 1/2" D/W HOSE	2	Z12-R2-48-S9
14	RAM BOTTOM PIVOT PIN	2	WI237-91
18	32" CRANKED H/D TINE (CONUS 1)	12	Z001-084
19	HEX NUTS (CONUS 1)	12	Z001-241
20	32" ST. H/D TINE (CONUS 2)	2	Z001-082
21	HEX NUTS (CONUS 2)	2	Z001-243
22	BLADE GUARD	1	Z44-322
23	BLADE GUARD x 850mm LONG	2	Z44-313
24	CABLE TIES	2	Z08-20
25	SIDE BLADE (WELD ON)	2	Z44-17
26	CENTRE BLADE (WELD ON)	6	Z44-18
27	END BLADE L.H.S (WELD ON)	1	Z44-19
28	END BLADE R.H.S (WELD ON)	1	Z44-20
29	78" ST 90 BSP/W12L 3/8 D/W HOSE	2	Z38-R2-2M-M18

TANCO SLICE GRAB "630 S" MODEL 1995



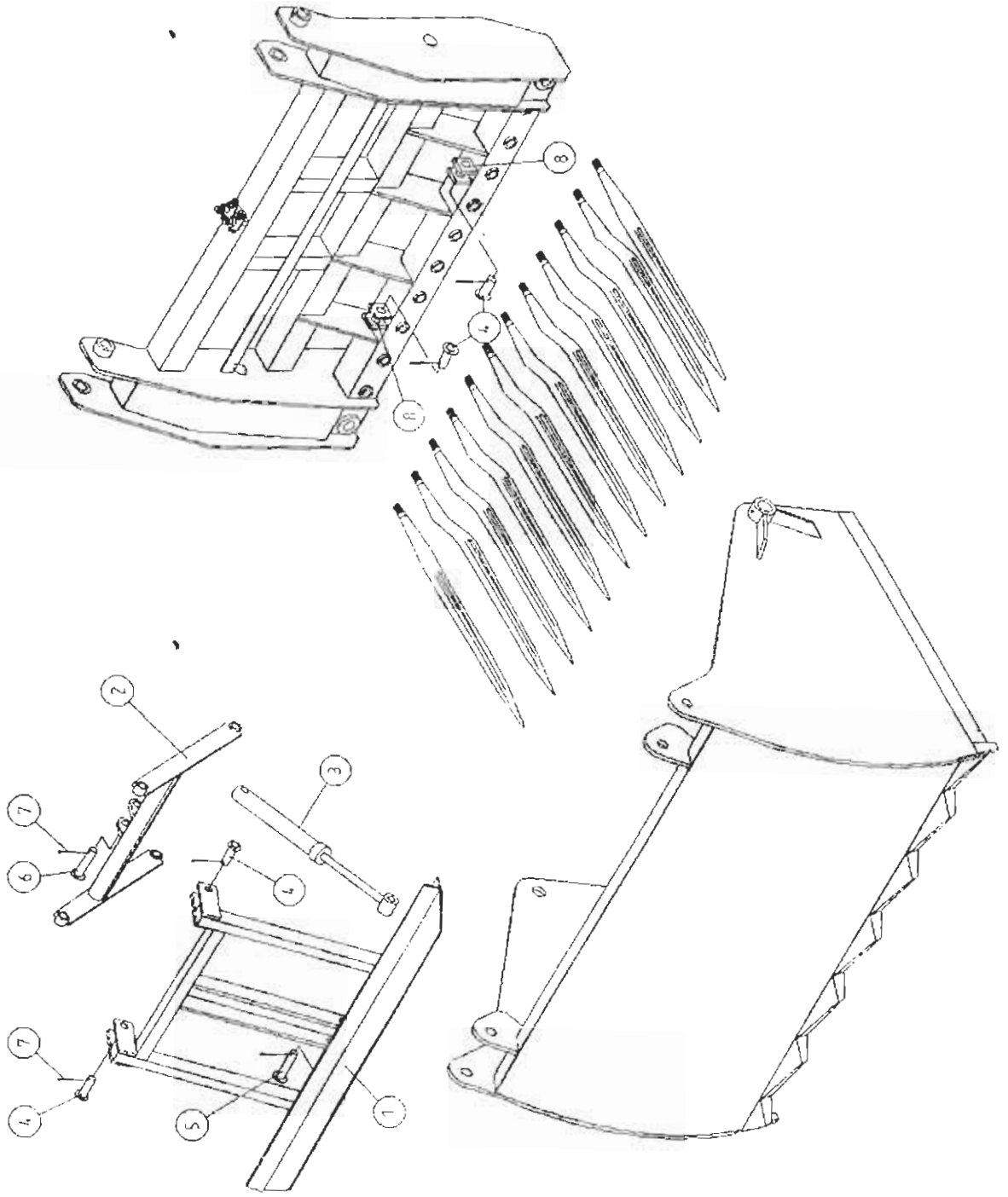


TANCO SLICE GRAB "630-S" MODEL 1995

PARTS LIST

ITEM	DESCRIPTION	QTY	TANCO NO.
1	MAIN FRAME ASSY.	1	WI267-MF
2	GRAB ASSY.	1	WI267-GA
3	GRAB PIVOT PINS	2	Z03-SG-6
4	M10 HEX HD. BOLT x 80mm LONG	2	Z26-0691B
5	M10 LOCKNUT	2	Z23-10
6	HYD. RAM (115mm) BORE	2	Z01-01-SG65
7	RAM TOP PIVOT PIN	2	WI237-90
8	30mm DIA. HEAVY FLAT WASHER	4	Z10-02-30
9	8mm DIA X 45mm TENSION PIN	4	Z03-21-29
10	M18 x 1/2" ADAPTOR	4	Z01-07-08M18
11	18mm DOWTY WASHER	4	Z01-04-18
12	36" ST/K90 1/2" D/W HOSE	2	Z12-R2-36-S9
13	48" ST/K90 1/2" D/W HOSE	2	Z12-R2-48-S9
14	RAM BOTTOM PIVOT PIN	2	WI237-91
18	32" CRANKED H/D TINE (CONUS 1)	14	Z001-084
19	HEX NUTS (CONUS 1)	14	Z001-241
20	32" ST. H/D TINE (CONUS 2)	2	Z001-082
21	HEX NUTS (CONUS 2)	2	Z001-243
22	BLADE GUARD	1	Z44-323
23	BLADE GUARD x 850mm LONG	2	Z44-313
24	CABLE TIES	2	Z08-20
25	SIDE BLADE (WELD ON)	2	Z44-17
26	CENTRE BLADE (WELD ON)	7	Z44-18
27	END BLADE L.H.S (WELD ON)	1	Z44-19
28	END BLADE R.H.S (WELD ON)	1	Z44-20
29	78" ST 90 BSP/W12L 3/8 D/W HOSE	2	Z38-R2-2M-M18

TANCO SLICE GRAB "390 S/470 S/540 S/630 S" MODELS  
HYDRAULIC PUSH-OFF LINKAGE ASSEMBLY



## TANCO SLICE GRAB "390S/470S/540S/630S" MODELS

PUSH-OFF LINKAGE ASSEMBLY

ITEM NO:	DESCRIPTION	QTY	PART NO:
1.	FRONT FRAME ASSEMBLY	1	WI253-FFA
2.	REAR FRAME ASSEMBLY	1	WI263-RFA
3.	HYDRAULIC RAM	1	Z01-01-SG30
4.	PIVOT PIN C/W GREASE NIPPLE	4	Z03-14-BR19
5.	RAM PIVOT PIN	1	Z03-02-418
6.	RAM PIVOT PIN	1	Z03-08-13
7.	2" X 1/4 SPLIT PINS	6	Z03-21-29
8.	PIVOT PLATE (WELD-ON)	4	WI237-10

TANCO SLICE GRAB 390S/470S/540S/630S MODELS 1995  
MECHANICAL PUSH-OFF LINKAGE

